

canfield connector
8510 Foxwood Court
Youngstown, Ohio 44514
(330) 758-8299 Fax: (330) 758-8912
www.canfieldconnector.com

SANDWICH CRT

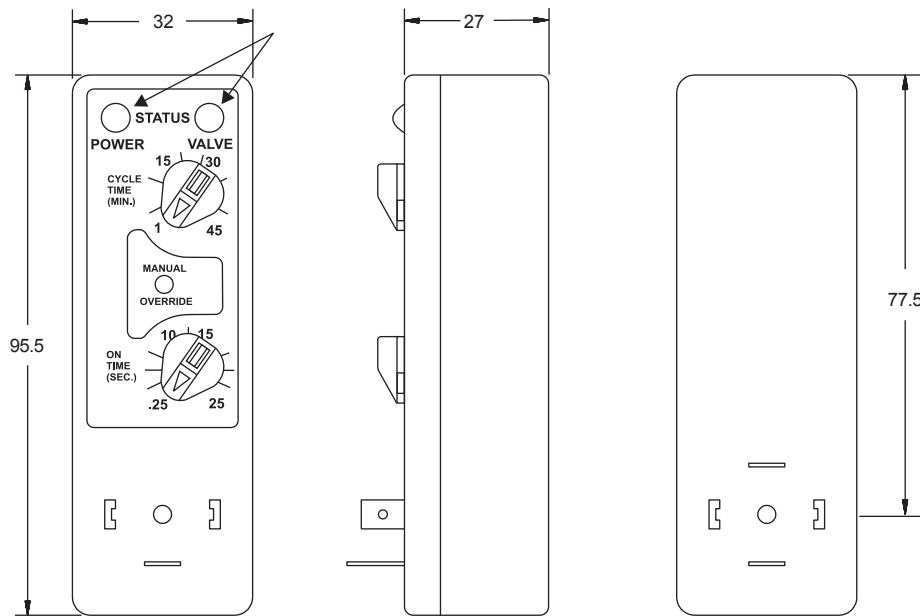
CONDENSATION REMOVAL TIMER (CRT)

General Description

This Canfield Connector miniature timer makes any valve, with the DIN 43650 Form "A"/ISO 4400, EN175301-803:2000 electrical interface, able to operate as a compressed air system condensate removal valve. The unit installs in a modular form between an existing coil and connector. No new wiring is necessary. Retrofits on virtually any installation. It works with the valve brand of your choice. The cycle and on times are easily adjustable and two indicator lights show status.

Dimensional Data

ALL DIMENSIONS ARE IN MILLIMETERS UNLESS OTHERWISE NOTED



DIN 43650 Form "A" / ISO 4400,
EN175301-803:2000 male
Connector on Front.

DIN 43650 Form "A" / ISO
4400, EN175301-803:2000
female Connector on Rear.
Timer can be rotated 180°.



Consult factory for available versions listed
by Canadian Standards Association for use
with certified electrical equipment.

Adjust by hand or screwdriver
LEDs can be seen from side view.

Technical Data

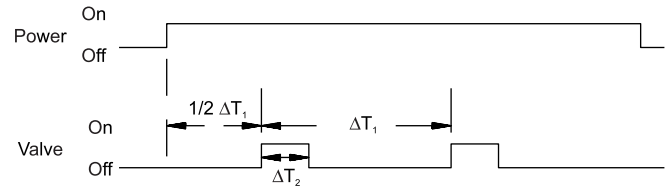
- Voltage ranges: 12 to 60 VDC
12 to 240 VAC 50/60 Hz
- Current draw: 1 Amp max. AC
1 Amp max. DC
- Ambient temperature range: -20° to +65°C
- ISO DIN interface: DIN 43650 Form "A" / ISO 4400,
EN175301-803:2000
- Transient suppression: AC – MOV
DC – Diode

Features

- Make any valve a condensate removal system
- Environmental protection: dust tight and water resistant
- All solid state; No moving parts to wear
- Indicator lights standard for power and valve status
- Optional 6 ft PVC cable w/grounded plug available
- Manual override switch

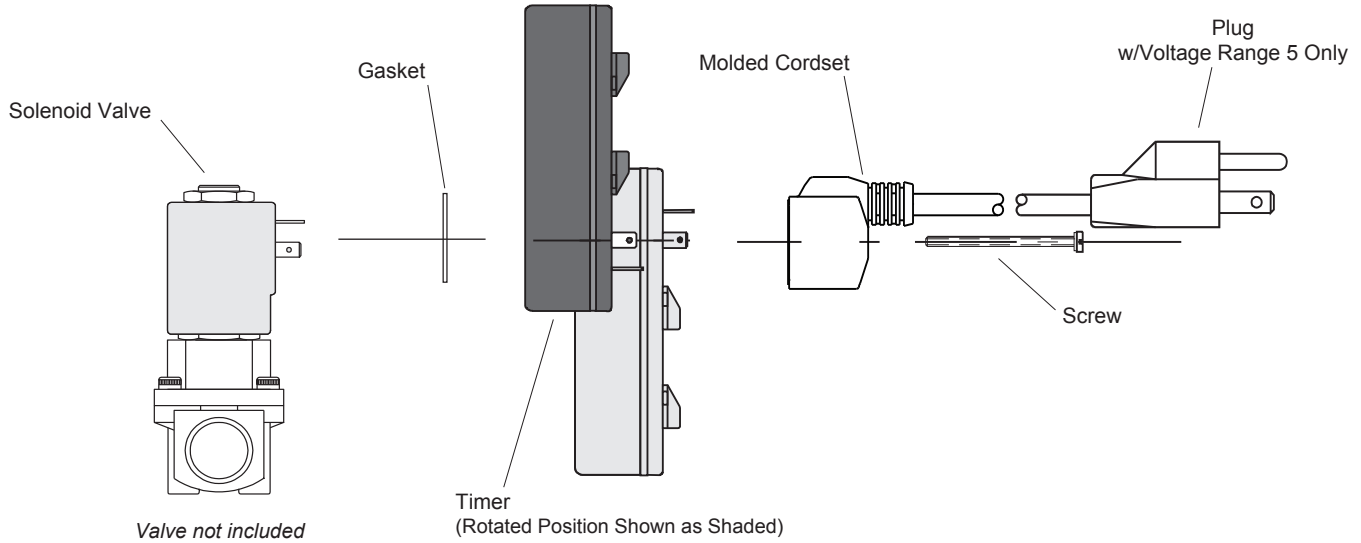
Timer Function

Upon application of power to the input terminals, the OFF time is initiated. At the end of the preset CYCLE time, the solenoid is energized and the ON time begins. At the end of the preset ON time, power is removed from the solenoid and a new cycle begins. Cycling continues until power is removed from the input terminals.

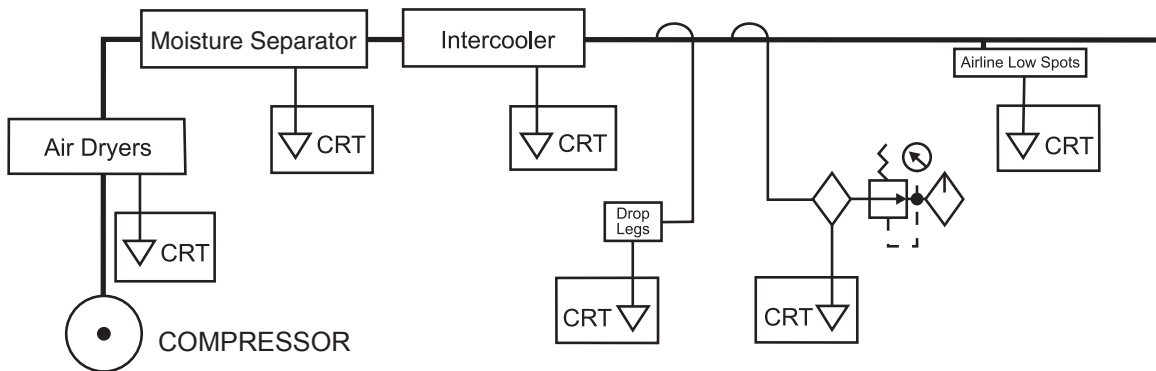


ΔT_1 = Cycle Rate (1 min. to 45 min.)
 ΔT_2 = Valve ON Time (.25 sec. to 25 sec.)

Installation



Applications



Ordering Information

Power Connection
 0 - Without molded cordset
 1 - With molded cordset
 2 - With ISO 1/2" conduit connector

5940 - 000

Voltage Range
 2 - 12 - 60 VDC
 4 - 12 - 120 VAC
 5 - 120 - 240 VAC

Ordering Example:

5940 - 10005

Sandwich Timer (CRT) with molded cordset, 120 to 240 VAC

Custom Time Ranges are Available.
 Consult Factory for Details.